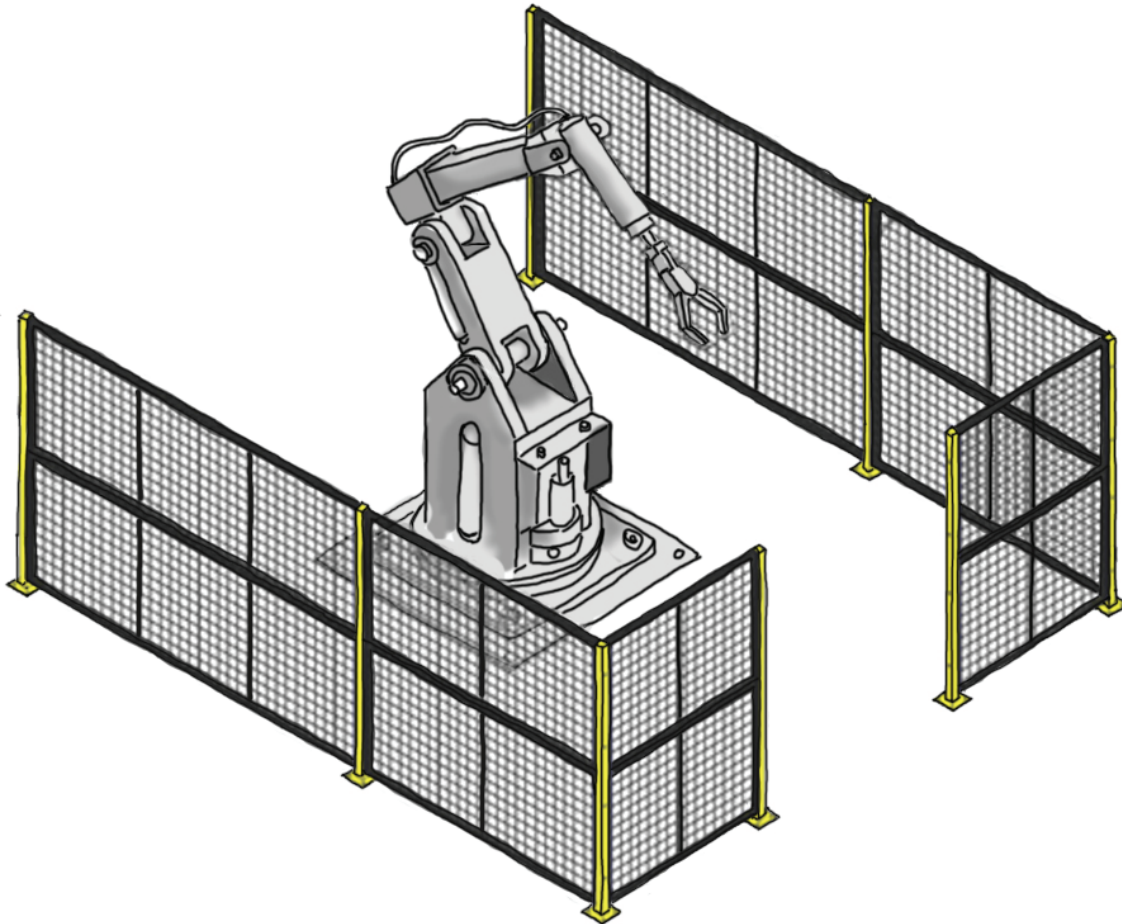


INSTALLATION MANUAL

For the most current release of this manual,
please visit our website at cogan.com

V.2017.1



Product	Partition
Sub-product	Robotic machine guard

- 7' and 8' are available for the post height.

-All panels are framed 2" x 2" x 10GA welded wire mesh framed in 1 1/4" x 1 1/4" x 12GA structural angle with one or two welded 1/2" \varnothing reinforcement rods.

- Single or double swing doors available.

- Also available in 2" x 1" and 1" x 1" mesh.

© 2017 Cogan Wire and Metal Products Ltd., all rights reserved.



A Tradition of Quality Since 1901

cogan.com

TOOLS

Measuring tape

Chalk line

Hammer

Metal grinder

4ft Level

Hammer drill with $\text{\O}1/4''$ drill bit

$3/8''$ Reversible drill with #8 sq. bit and $3/8''$ hex head bit

$7/16''$ wrenches / sockets

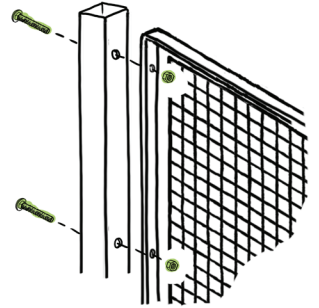
Safety glasses

TO ENSURE PROPER DOOR CLOSURE AND INSTALLATION, CENTER TO CENTER SPACING OF THE POST IS CRITICAL.

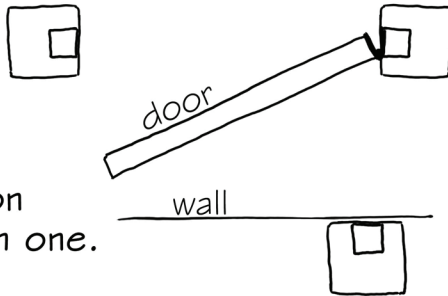
THE DIMENSIONS ON THE INSTALLATION DRAWING MUST BE RESPECTED $\pm 1/8''$

STEP 3 SIDE PANELS

Attach each side panel on posts using carriage bolts in all the pre-punched holes.

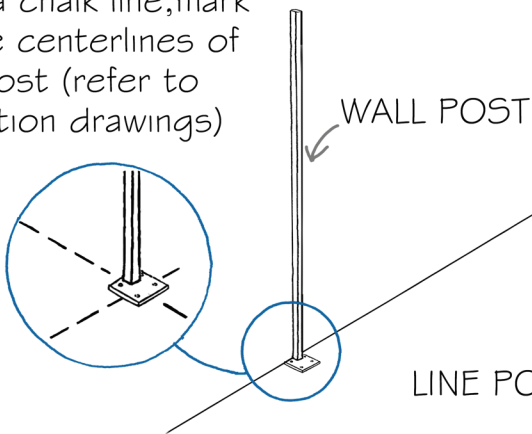


Baseplates are usually offset when against a wall or in a door opening. Refer to installation drawing for the location and orientation of each one.



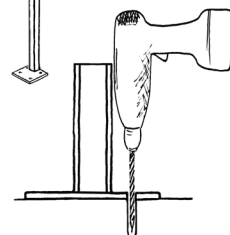
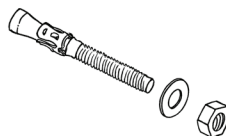
STEP 1 CENTERLINES

Using a chalk line, mark out the centerlines of each post (refer to installation drawings)

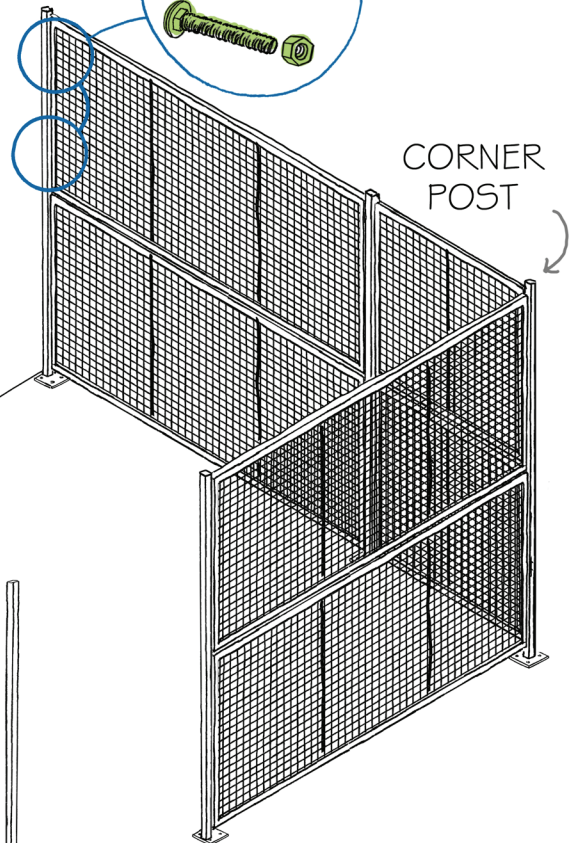


STEP 2 ANCHORS

Anchor the foot plates to the floor using wedge bolt anchors (not provided). $3/8\text{\O}'' \times 2\ 3/4''$ for $2'' \times 2''$ post.



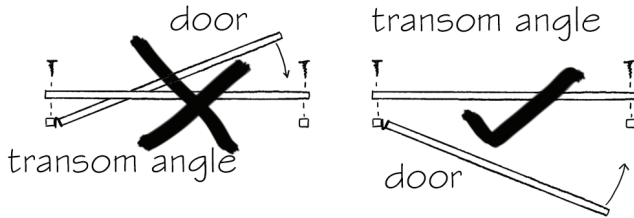
Hammer drill a hole with the same nominal diameter and at least as deep as the length of the anchor



STEP 4

TRANSOM ANGLE

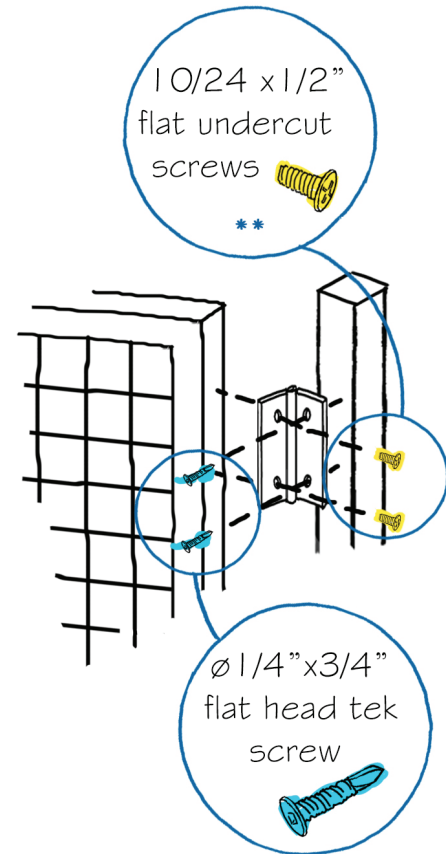
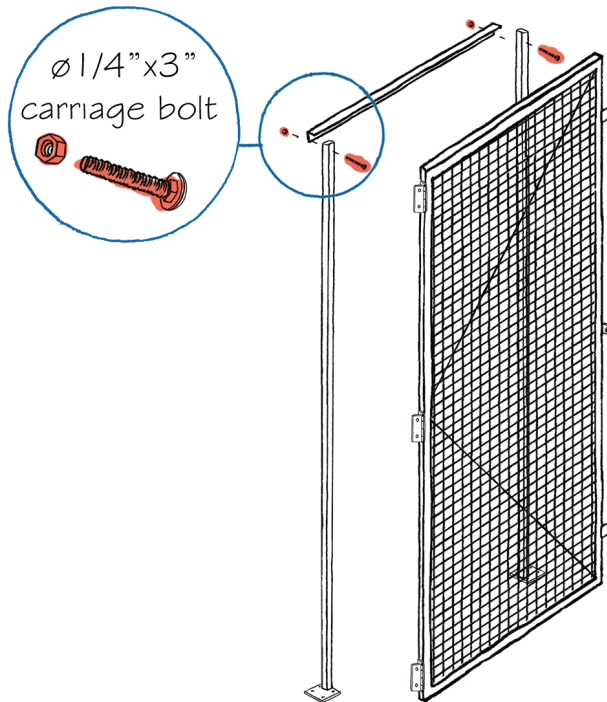
Drill holes in the post and bolt in place using $\varnothing 1/4"$ x 3" carriage bolt. Install the nut on the inside part of the partition.



STEP 5

HINGES

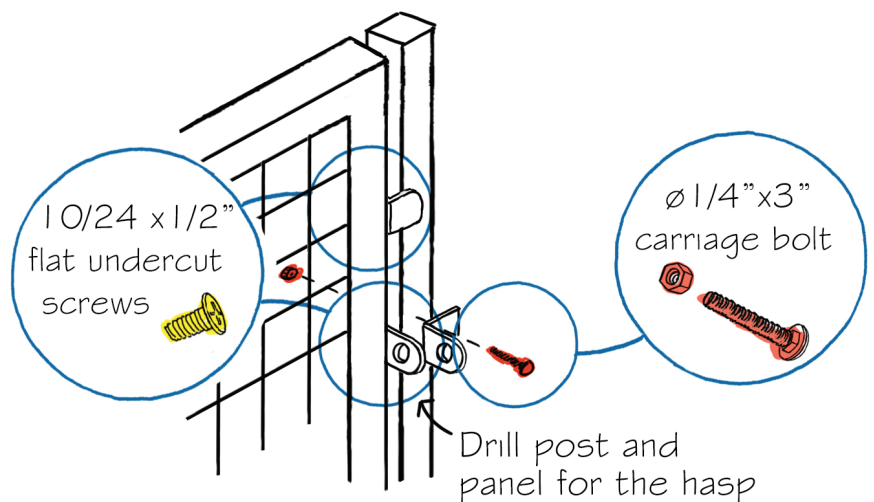
Screw the hinges to the door frame using 10/24 x 1/2" flat undercut screws. Then attach the door hinges to the post using $\varnothing 1/4"$ x 3/4" flat head tek screw.



STEP 6

HASPS AND DOOR STOPPER

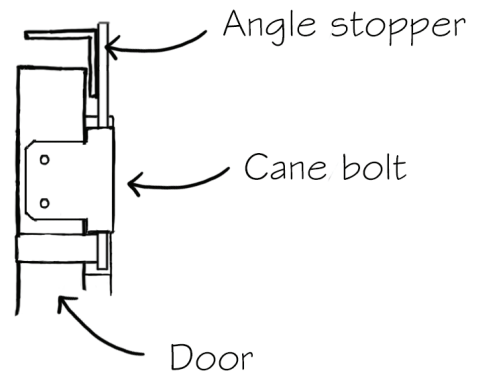
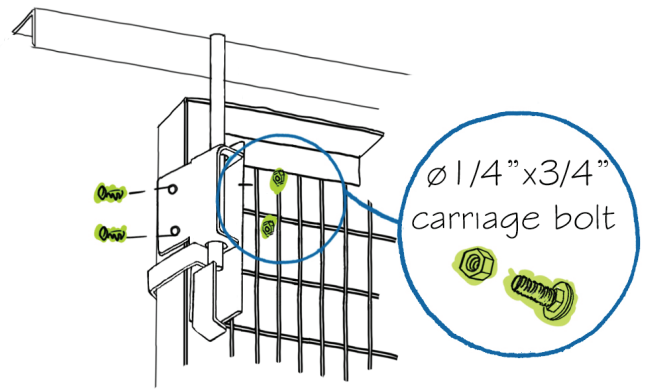
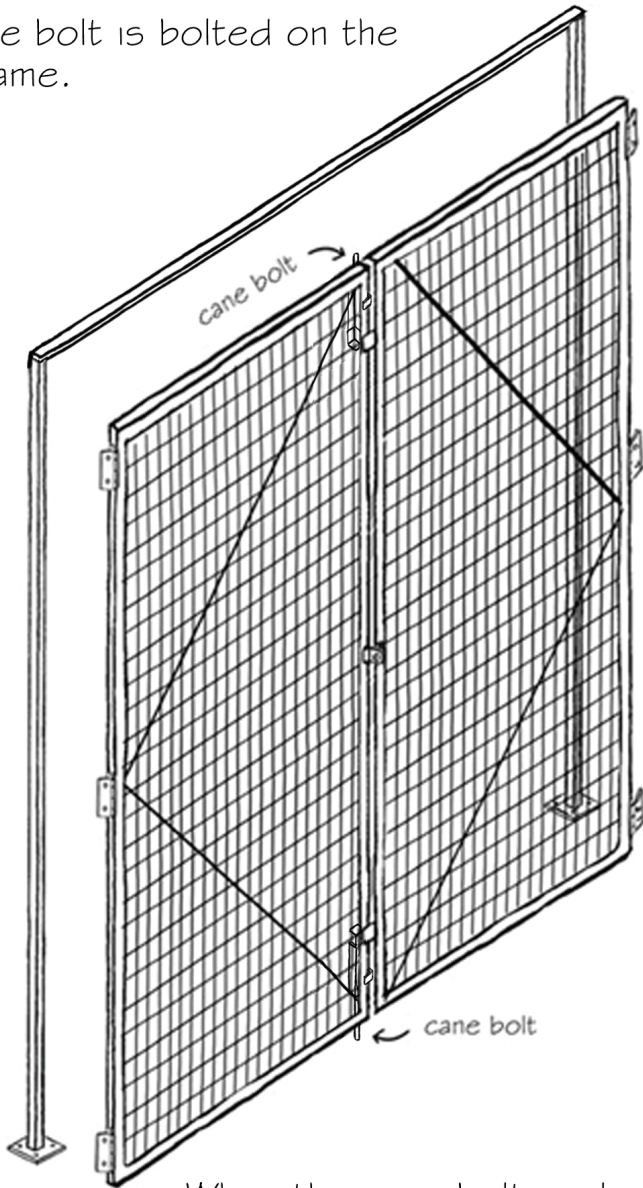
Drill a hole in the door frame and post for the door stopper and padlock hasp. Cogan will install the hardware if requested by the client.



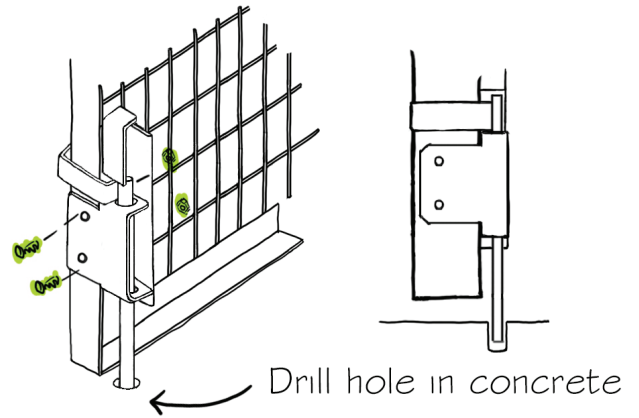
**Cogan installs during manufacturing.

STEP 7 CANE BOLT

The cane bolt is bolted on the door frame.



When the cane bolt is already assembled and bolted on door frame. To finish the installation, drill a $\varnothing 5/8$ " hole in concrete to receive the cane bolt.



NOTES:

MATERIAL

- **PANELS ARE MADE OF FRAMED WELDED WIRE MESH 2" x 2" x 10GA REINFORCED WITH ONE OR TWO 1/2" ROUND BAR, DIVIDING PANELS IN EQUAL SECTIONS. FRAMES ARE MADE OF STRUCTURAL ANGLE 1 1/4" x 1 1/4" x 12GA STRUCTURALLY SHAPED FOR EXTRA STRENGTH AND RIGIDITY.**

- **DOORS ARE EQUIPED WITH 3 HINGES.**

- **POSTS ARE MADE OF 2" x 2" x16GA SQUARE SEAM WELDED TUBING, ENGINEERED FOR PERFECT SUPPORT AND RIGIDITY WELDED TO 6" x 6" x 1/4" BASEPLATE.**

- **ALL NECESSARY ASSEMBLY FASTENERS SHALL BE PROVIDED. ANCHORS ARE NOT PROVIDED BY COGAN.**

- **POSTS ARE POWDER-COATED SAFETY YELLOW FINISH.**

- **DOORS AND PANELS ARE POWDER-COATED BLACK FINISH.**